

FURUTECH

PURE TRANSMISSION



 NCF®



Grand Prix



Logo marking enlarged image.

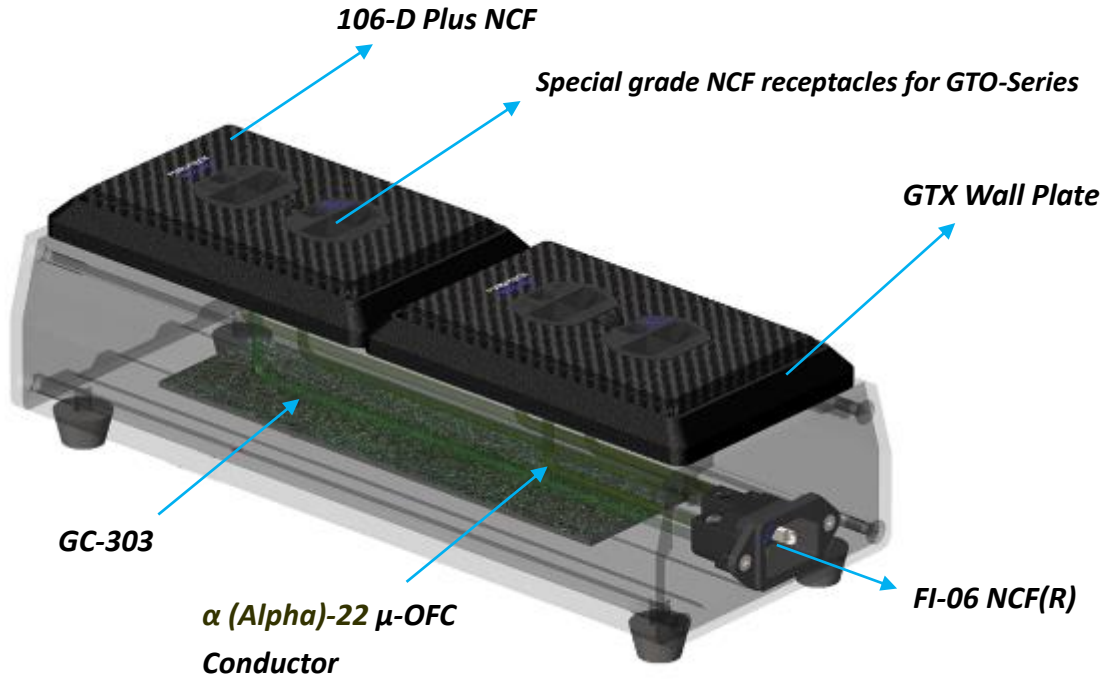
GTO-D2 NCF(R) Distributor

The GTO-D2 NCF — a true gem in the realm of cost-performance high-end audio grade power distributors. Praised by Japanese audio connoisseurs as the epitome of 'best bang for buck' in the local market, this marvel will exceed expectations. Experience exceptional sonic transparency, a distinctive hallmark of Furutech craftsmanship. Enhanced by the alchemy of NCF technology, this unit not only elevates clarity but also expands the soundstage by lowering the noise floor. Immerse yourself in the extraordinary; the GTO-D2 NCF promises a revealing sonic experience for the discerning audio enthusiast.

Nano Crystal² Formula (NCF)

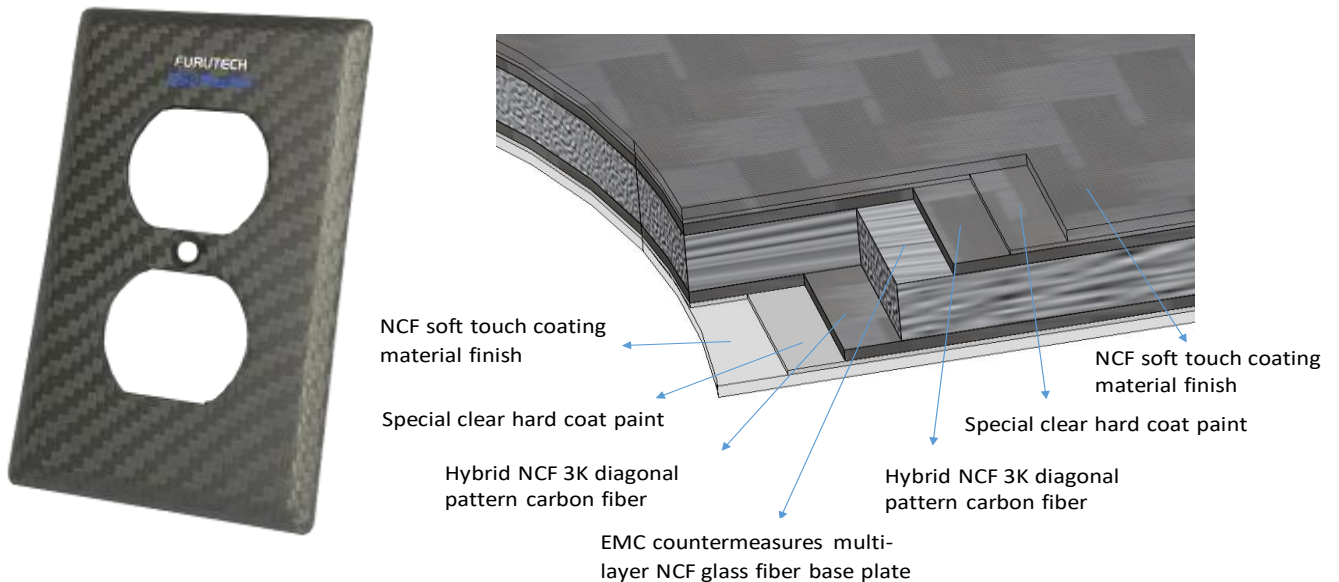
Incorporated into selected Furutech products, NCF features a special crystalline material that has two 'active' properties. First, it generates negative ions that eliminate static. Second, it converts thermal energy into far infrared. Furutech combines this remarkable material with nano-sized ceramic particles and carbon powder for their additional 'piezoelectric effect' damping properties. The resulting Nano Crystal² Formula is the ultimate electrical and mechanical damping material. Created by Furutech, it is found exclusively in Furutech products.

Features:



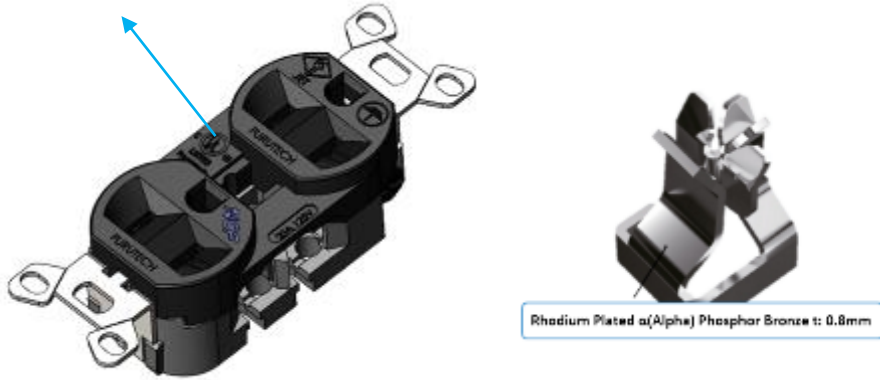
- **NCF Damper Outlet Cover 106-D Plus NCF**
106-D Plus NCF is Furutech's "Top of the line" Receptacle Cover. After a multitude of tests involving the best in damping materials, Furutech brings you, its masterpiece. This combination of carbon and **NCF** will be the final touch to your complete AC chain.

Multilayer Structure



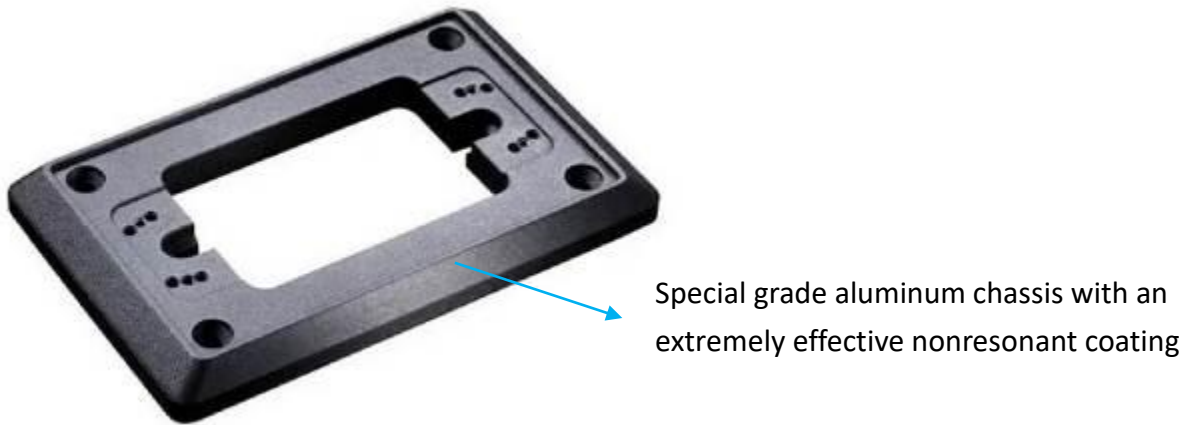
- **Special grade NCF receptacles for GTO-Series**
 Beautifully engineered nonmagnetic phosphor bronze receptacles with rhodium plated contacts. Receptacles insulated with RoHS compliant special audio grade nylon/fiberglass incorporating "NCF" special anti-static and anti-resonance material formed with nano-sized crystalline, piezo ceramic particles and carbon damping material. Body and cover also incorporate "NCF" material for improved vibration damping.

NCF features a special crystalline material combined with nano-sized ceramic particles and carbon powder.



- **GTX Wall Plate**

Beautifully crafted special grade aluminum CNC processed chassis. Receptacles secured to chassis with Furutech's High performance GTX Wall plate. Finished with an extremely effective nonresonant coating.



- **FI-06 NCF(R)**

Furutech's Top high-end audio grade IEC inlet FI-06 NCF(R).

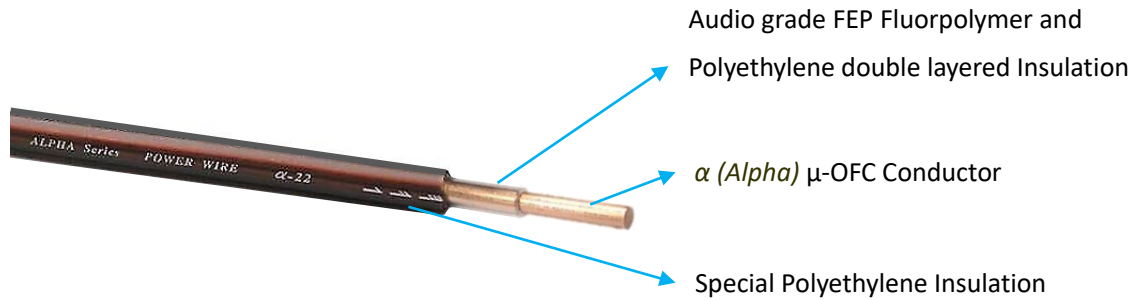
α (Alpha) Pure-Copper Rhodium-plated Conductor .

Materials: Nylon/fiberglass with special "NCF" anti-resonance damping material - nano-sized crystalline, piezo ceramic particles and carbon powder.



- ***α (Alpha)-22 μ-OFC Conductor***

Independently wired (Star-wired) with Furutech’s high-purity μ-OFC wire Alpha-22 (3.8 Sq. mm) featuring audio grade double layer fluoropolymer and polyethylene insulation.



- ***Formula GC-303***

GC-303 is a special material Furutech bonds to the interior bottom-plate of the chassis (see illustration below) that absorbs EMI (Electromagnetic Interference) generated by the internal fittings of the unit. The unit uses no filtering besides Formula GC-303 so AC resistance is kept to a minimum, allowing a more resolving, powerful, dynamic, and colorful performance from your components

- Piezo nano-ceramic and carbon damping isolator footers.
- Results in greater resolution, clarity, powerful dynamics, and an ultra-quiet soundstage in which music develops more fully without artificial upper frequency “presence region” glare.
- Dimensions: 283.4mm (L) x 108.5mm (W) x 77mm (H) approx, without spikes.
- Net Weight: 2.1kg approx.

Product name	Product Introduction	JAN CODE
GTO-D2 NCF(R) Distributor	Top High End grade receptacle distributor	4580370443998

*All metallic parts are treated by *FURUTECH α(Alpha) Process (Super Cryogenic & Demagnetize Treatment .)*

FURUTECH CO., LTD. service@furutech.com

NCF® is a registered trademark of Furutech Co., Ltd. Japan